

The Innovative Leader of Automatic Lubricators



PULSARLUBE

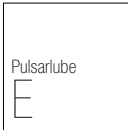
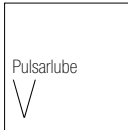










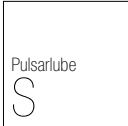
Master Catalog



PULSARLUBE

The Best Lubrication Solutions

Introduction	02	Company Introduction
	04	Why Use Pulsarlube?
Applications	06	Pulsarlube at a Glance
	08	Industries & Applications

Products	10	Electrochemical					
	14	Electromechanical					
	18	Electromechanical - Synchronizing					
	22	Electromechanical - Remote Management					
	26	Oiler					
	28	Spring					

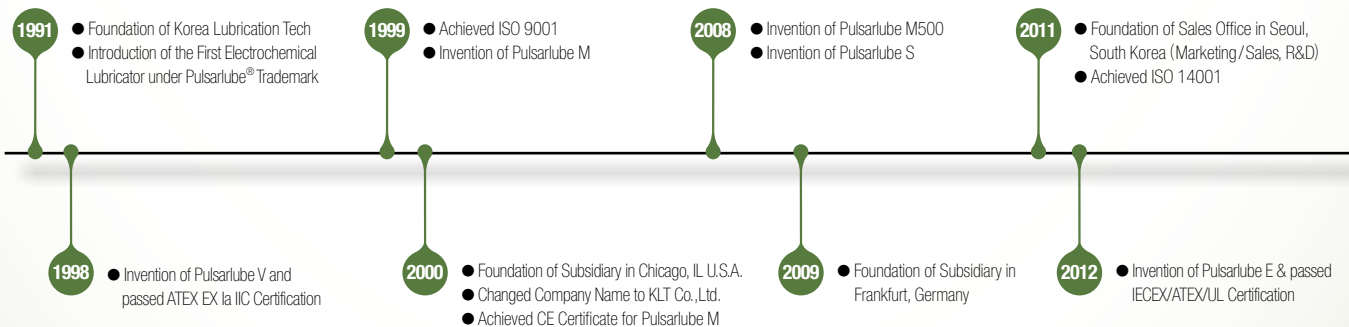
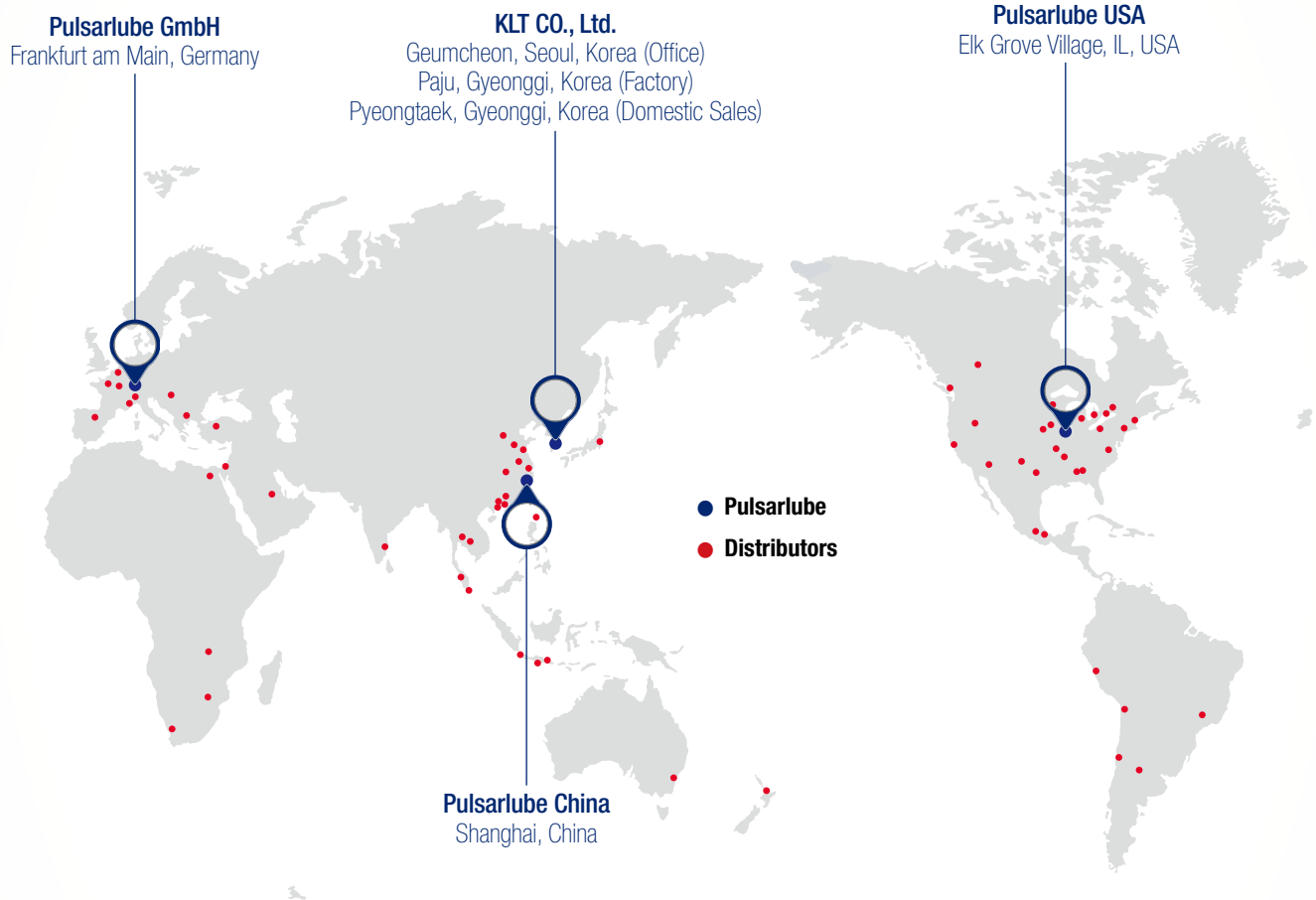
Installations	30	Pulsarlube Installation Options
	32	Pulsarlube Oiler Installation Options

Guidelines	34	Pulsarlube Grease Guide
	35	Pulsarlube Application Guide
	36	Pulsarlube Dispensing Recommendations
	37	How To Order

Company Introduction

Utilizing patented cutting edge microprocessor technology, **PULSARLUBE®** provides the most innovative and reliable Automatic Single Point Lubricator on the market. Backed by years of research and development PULSARLUBE offers a wide range of superior products to meet the needs of our customers.

PULSARLUBE provides high quality products and services worldwide through its well-established distribution network.





provides its customers with the highest quality assurance as well as continuous innovation to its cutting edge technology for the best lubrication solutions.



2013

● Foundation of Sales Office in Shanghai, China

2015

● Invention of Pulsarlube PLC

2017

● Invention of Pulsarlube EXP

2019

● Invention of Pulsarlube AIR

2014

● Invention of Pulsarlube Mi

2016

● Launch of Customized Lubricant Business

2018

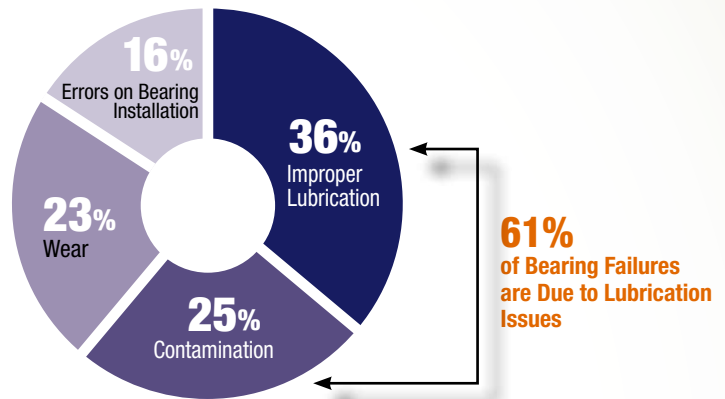
● Invention of electromechanical Pulsarlube EXPL
● Invention of Pulsarlube BT

2021

● Signed MOU about development of IoT lubricator with LG Display

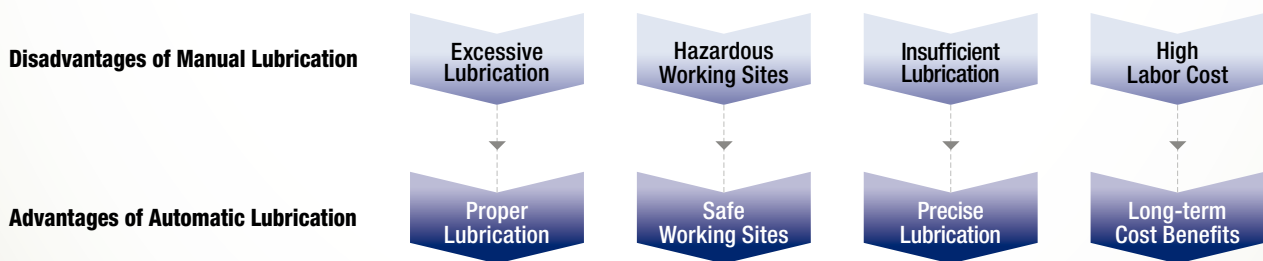
Is Your Equipment Well Maintained?

Many organizations are aware that excellent lubrication is a crucial step and a good investment to optimize machinery life. However in reality, the lubrication budget is often treated as secondary and is frequently one of the first areas for budget cuts. It can be difficult to find the right way, the right time, and the right amount to lubricate while determining what the “best lubrication solution” is for your machinery because optimum lubrication practices require skill, time, manpower, and money. PULSARLUBE offers a variety of lubrication products to solve all of your lubrication needs.



We Provide The Best Lubrication Solutions For Your Machinery

Accurate automatic lubrication can extend bearing life which will reduce replacement/repair cost and avoid unnecessary downtimes.



Pulsarlube is the most effective solution to lubricate your equipment.

Pulsarlube Automatic Lubricators: A Variety of Lubrication Solutions for Most Applications and Environments

Pulsarlube lubricators demonstrate definitive advantages over the competition.



High Operating Pressure

High operating pressures enables customers to have a variety of installation methods and options.

10m

Up to 10m (33ft) for
single point remote installations.

8 points

Up to 8 lube points for
multi-point lubrication.



Wide Temperature Range

Our technology offers benefits in a wide range of ambient temperatures.

N₂

Inert nitrogen gas is less affected by
changes in ambient temperature.

Lithium Battery

Optional lithium battery offers excellent
performance in low temperatures.

Pulsarlube offers a variety of solutions that can significantly increase your bottom line.

Pulsarlube Product Line

Total Lubrication Solutions

Pulsarlube **E**

Features

Intrinsically Safe, Compact, Economical, Submersible

Replacement Method

Disposable

Operating Pressure

Max. 5bar (73psi)

Grease Pouch Capacity

60/120/240ml



Electrochemical

Pulsarlube **V**

Features

Intrinsically Safe, LCD Display, Advanced Microprocessor, Controlled Gas Generation

Replacement Method

Disposable

Operating Pressure

Max. 5bar (73psi)

Grease Pouch Capacity

125/250ml



Pulsarlube **M**

Features

High Operating Pressure, Multi-Point Lubrication Capabilities, and Low Temp Capabilities

Replacement Method

Service Pack Replacement

Operating Pressure

30~60bar (435~870psi)

Grease Pouch Capacity

60/125/250/500ml



Electromechanical

Pulsarlube **EXP/EXPL**

Features

Competitive Global Certifications for Use in Hazardous Locations, Multi-Point Lubrication Capabilities

Replacement Method

Service Pack Replacement

Operating Pressure

30~60bar (435~870psi)

Grease Pouch Capacity

60/120/240/480ml



Pulsarlube **MSP**

Features

Efficient Lubrication by Synchronizing Operation to Machine's Electrical Power

Replacement Method

Service Pack Replacement

Operating Pressure

30~60bar (435~870psi)

Grease Pouch Capacity

60/125/250/500ml



Electromechanical - Synchronizing

Pulsarlube **Mi**

Features

Efficient Lubrication by Synchronizing Operation to Machine's Vibration. No Electrical Wiring Needed.

Replacement Method

Service Pack Replacement

Operating Pressure

30~60bar (435~870psi)

Grease Pouch Capacity

60/125/250ml



Pulsarlube **BT**

Features

Bluetooth-enabled
Automatic Electromechanical Lubricator

Replacement Method

Service Pack Replacement

Operating Pressure

30–60bar (435–870psi)

Grease Pouch Capacity

60/120/240ml



Electromechanical - Remote Management

Pulsarlube **PLC**

Features

Manage Dispensing Rates through PLC, Signal Out to External Alarm for Warning / Error Messages

Replacement Method

Service Pack Replacement

Operating Pressure

30–60bar (435–870psi)

Grease Pouch Capacity

60/120/240/480ml



Pulsarlube **OL500**

Features

Refillable, Compatible with a Wide Range of Oil Viscosity, Multi-Point Capability

Replacement Method

Oil Refillable

Operating Pressure

Max. 10bar (145psi)

Oil Reservoir Capacity

500ml



Oiler

Pulsarlube **S**

Features

Refillable, Unique Design Reduces Effects of Oil Separation

Replacement Method

Refillable

Grease Pouch Capacity

100ml



Spring

Pulsarlube **EO**

Features

Compact, Economical

Replacement Method

Disposable

Operating Pressure

Max. 5bar (73psi)

Oil Reservoir Capacity

60/120/240ml



Industries & Applications



Automotive

Chains
Lifts
Electric Motors
Conveyors
Loaders
HVAC Systems



Steel

Loaders
Conveyors
Electric Motors
Blowers
Fans
Pumps



Cement

Conveyors
Electric Motors
Blowers
Fans
Pumps



Mining

Mobile Equipment
Conveyors
Electric Motors
Pumps
Crushers



Pulp & Paper

Conveyors
Electric Motors
Blowers
Pumps
Paper Machines





Petrochemical

Electric Motors
Blowers
Pumps
Air Compressors



Power Plant

Water Pumps
Electric Motors
Conveyors
Boilers
Air Handling Units
Heaters



Food & Beverage

Conveyors
Electric Motors
Blowers
Pumps
Cooling Towers
Air Handling Units



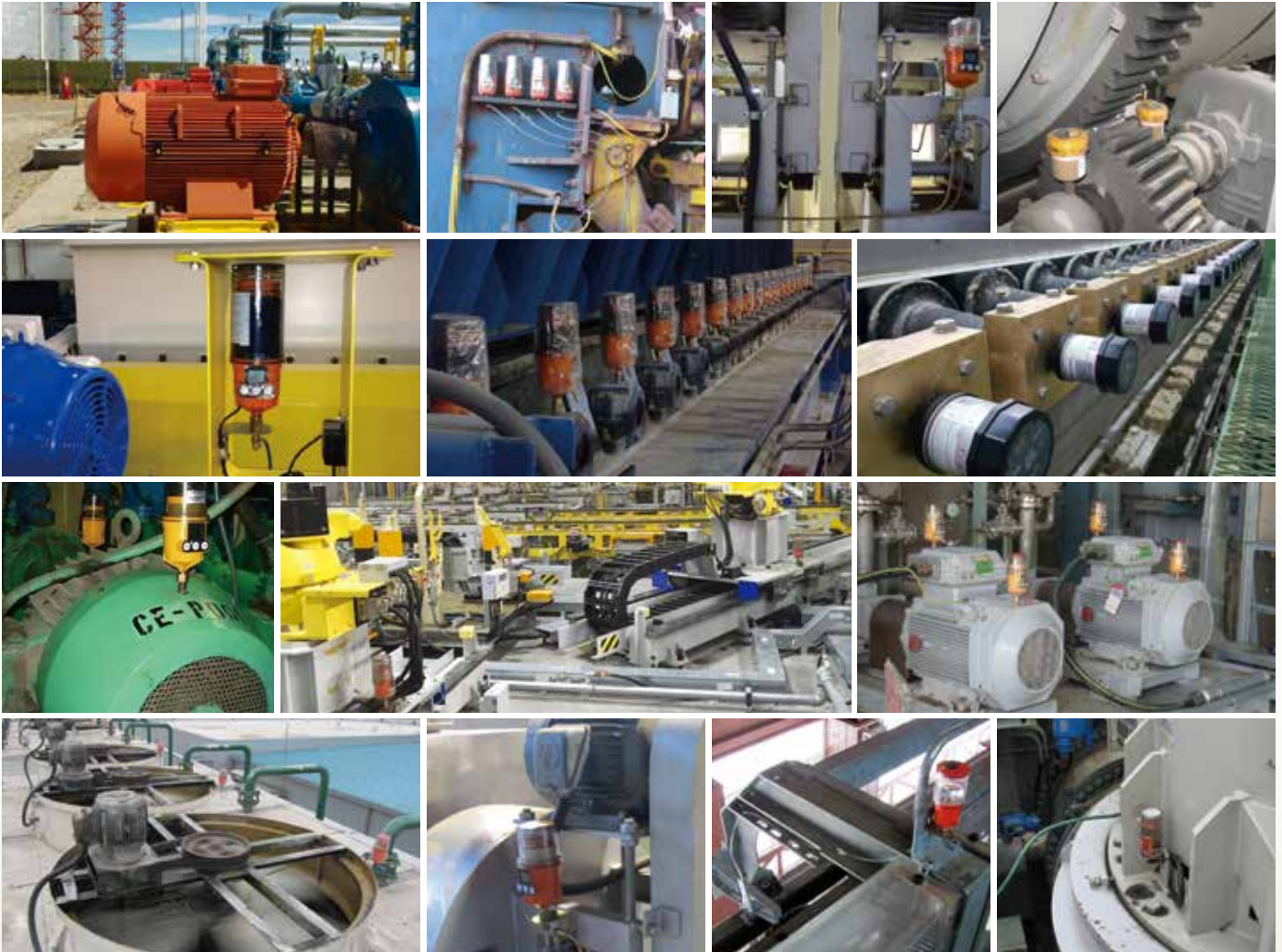
Semiconductor

Air Handling Units
Clean Rooms
Cooling Towers
SMD PCB Lines
LCD Panels
Loader Robots
Wet Scrubbers



Marine

Mooring Winch
Doors
Cranes
Pumps
Electric Motors



The Pulsarlube E has the **highest IP Rating** which makes it the perfect choice for your underwater application.

    **IECEX IP68**  



Pulsarlube E

Compact & Economical

The Pulsarlube E features compact size which can easily be installed in confined areas with limited accessibility. This eco-friendly product is recyclable.

Features & Benefits



Compact design is convenient for use in very confined spaces & Specially designed to endure high vibration



Eco-friendly product where applicable parts can be disposed of separately



CE, ATEX, UL certified for intrinsically safe use in hazardous locations



High IP rating protects against ingress of dust and water and allows underwater installation



Specifications

Grease Pouch Capacity

60ml/120ml/240ml (disposable)

Operating Method

Electrochemical reaction (Nitrogen gas)

Operating Pressure

Max. 5bar (73psi)

Operating Temperature

-20°C~55°C (-4°F~131°F)

Dispensing Periods

1, 3, 6, 9, 12 month

Single Point Remote Installation

Max. 1m (3.3ft) with O.D. Ø8 tube

Multi-Point Installation

N/A

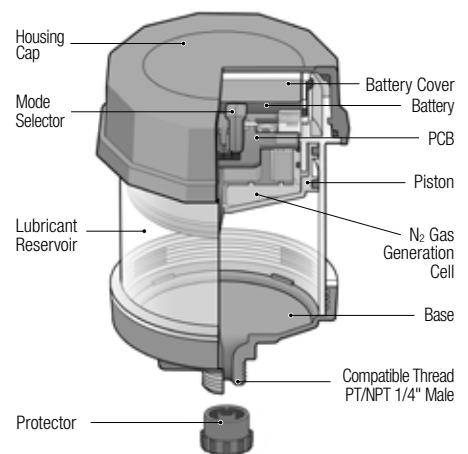
IP Code

IP68

Product Certifications

ATEX, UL, IECEx, KCs, CE, MSHA

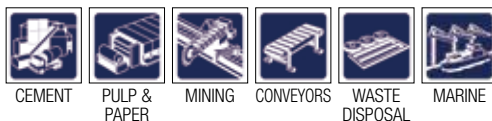
Overview



Product Dimension

E60 : Ø77(3.03") x 91mm(3.58") (H)
 E120 : Ø77(3.03") x 111mm(4.37") (H)
 E240 : Ø77(3.03") x 156mm(6.14") (H)

Applications



The Pulsarlube V is **intrinsically safe** and can be used in **hazardous locations** containing flammable liquids, vapors, gasses, and dust.

    **IECEX IP68**  



Pulsarlube V

Advanced Performance & Smart Operation

The Pulsarlube V is an easy-to-program gas type lubricator which offers a large user-friendly LCD display.

Features & Benefits



Variable dispensing settings with a large informative LCD display & Easy to reprogram at any time with a press of a button



8-bit microprocessor controlled to ensure the most accurate dispensing rate



CE, ATEX, UL certified for intrinsically safe use in hazardous locations



High IP rating protects against ingress of dust and water and allows underwater installation



Specifications

Grease Pouch Capacity
125ml/250ml (disposable)

Operating Method
Electrochemical reaction (Nitrogen gas)

Operating Pressure
Max. 5bar (73psi)

Operating Temperature
-20°C~55°C (-4°F~131°F)

Dispensing Periods
1, 2, 3, 6, 12 month & Purge (P)

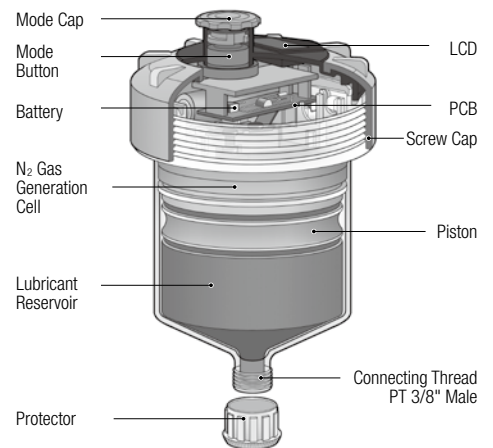
Single Point Remote Installation
Max. 1m (3.3ft) with O.D. Ø8 tube

Multi-Point Installation
N/A

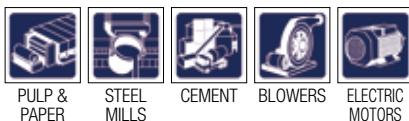
IP Code
IP68

Product Certifications
ATEX, UL, IECEx, KCs, CE, MSHA

Overview



Applications



Product Dimension
V125 : Ø97(3.81") x 128mm(5.04") (H)
V250 : Ø97(3.81") x 166mm(6.53") (H)

Pulsarlube M

Unrivaled Power & Long-Term Reliability

The Pulsarlube M consists of a vertical feed pump and a microprocessor chip allowing an average operating pressure of 30bar (435psi). It is designed to ensure reliable lubrication and is a lubrication cost savings solution.



Features & Benefits

Max. 60bar	High output pressure enables multi-point lubrication up to 8 points or over 30ft single point lubrication
Lithium Battery	Covers low temp applications with use of lithium battery pack
LCD	Easy to program with built-in LCD and simple button controls
Service Pack	Substantial savings with the use of replaceable grease pouches and battery packs

Specifications

Grease Pouch Capacity

60ml/125ml/250ml/500ml
(pre-set)

Power Supply

DC 4.5V Battery Pack

Operating Pressure

30~60bar (435~870psi)

Operating Temperature

Standard Alkaline Battery :
-15°C~60°C (5°F~140°F)
Optional Lithium Battery :
-40°C~60°C (-40°F~140°F)

Dispensing Periods

1~12 month

Single Point Remote Installation

Max. 10m (33ft) with O.D. Ø6 tube

Multi-Point Installation

Max. 6m (20ft) with O.D. Ø6 tube
(Up to 8 lube points)

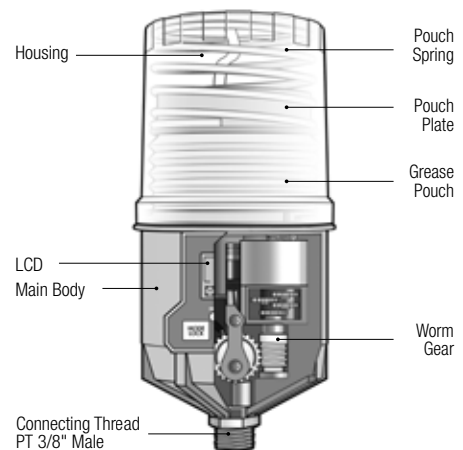
IP Code

IP65

Product Certifications

CE, KCs, FCC, RoHS

Overview

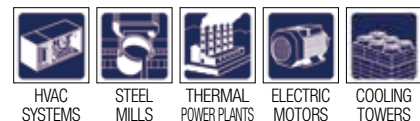


Product Dimension

M60, M125 : Ø91(3.60") x 181mm (7.13") (H)
M250 : Ø91(3.60") x 209mm (8.22") (H)
M500 : Ø92(3.62") x 260mm (10.23") (H)



Applications



Service Packs

Substantial Cost Savings

Pulsarlube electromechanical lubricators are reusable and bring cost saving benefits to customers with the use of a replacement kit, the Service Pack.

A Service Pack consists of

A grease pouch of selectable lubricant type in various volumes

An OEM battery pack :

DC 4.5V Alkaline battery pack (standard) or DC 4.5V Lithium battery pack

* Note : A battery pack is not included in MSP and PLC service packs.

A disposable dust cover :





PVC dust cover (standard) or UV protection dust cover

* Note : A dust cover is not included in PLC service packs.

Warning

The grease pouch and battery pack must always be replaced together at the end of each lubrication cycle to ensure reliable operation.

Service Pack Sizes (Grease Pouch Capacity)

60ml	120/125ml
	
240/250ml	480/500ml
	

Battery Pack Selection Guide

Applications	Alkaline Battery Pack (Standard)	Lithium Battery Pack (Optional)
Direct Mount	OK	OK
Operating Temp Range	-15°C~60°C (5°F~140°F)	-40°C~60°C (-40°F~140°F)
Programming	Up to 12 months	Up to 24 months
Remote Installation	Up to 3m (10ft) on a single line	Up to 6m (20ft) per line
Multi-Point Lubrication	Up to 8 points with max. 250ml capacity	Up to 8 points for all capacities
500ml Grease Pouch	Direct mount or short single point remote installation only	All types of installations

Globally certified electromechanical lubricator for reliable lubrication in areas containing flammable medium.



II 3 G Ex ic IIC T5/T4 Gc
DEKRA17ATEX0012X



Ex ic IIC T5/T4
17-KA2B0-0115X

IECEx Ex ic IIC T5/T4 Gc
IECEx KTL 17.0001X



Ex ic IIC T5/T4 Gc
NEPSI GYJ22.3191X



單點式自動注油機 (Pulsarlube EXP)
EXP60
Ex ic IIC T5/T4 Gc
許用電壓 : 4.5 Vdc
TD040272
KLT Co., Ltd.

CE IP65



II 3 G Ex ic IIB T4 Gc
DEKRA17ATEX0012X



Ex ic IIB T4
18-KA2B0-0463X

IECEx Ex ic IIB T4 Gc
IECEx KTL17.0001X



Ex ic IIB T4 Gc
NEPSI GYJ22.3191X



Class I, Division 2, Groups A, B, C, D, T4
Class II, Division 2, Groups F, G, T4
-18°C ≤ Tamb ≤ 54°C (Alkaline batteries)
-30°C ≤ Tamb ≤ 50°C (Lithium batteries)
Conforms to UL Std. 121201
Intertek
5011230
Cert. to CSA Std. C22-2 NO. 213

CE IP65



Pulsarlube EXP/EXPL

Globally Certified for Use in Hazardous Areas

The Pulsarlube EXP/EXPL is specifically designed and certified for protection against explosive gases or dust existing in hazardous locations.

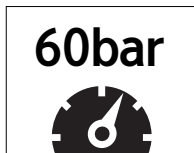
Features & Benefits



Easy to check LCD display with backlight function



Reliable lubricator certified for safe use in hazardous areas



High operating pressure allows superior performance in its class



Substantial savings with the use of replaceable grease pouches and battery packs



* For replacement kit information, please refer to Service Pack on Page 15.

Specifications

Grease Pouch Capacity

60ml/120ml/240ml/480ml (pre-set)

Power Supply

DC 4.5V Battery Pack (replaceable)
Standard : Alkaline Battery
Optional : Lithium Battery

Operating Pressure

30~60bar (435~870psi)

Operating Temperature

EXP : 0°C~50°C
EXPL : -15°C~50°C

Dispensing Periods

60ml : 1~12 month
120ml~480ml :
1, 2, 3, 6, 9, 12 month

Single Point Remote Installation

Lithium Battery :
Max. 6m (20ft) with O.D. Ø6 tube

Multi-Point Installation

Lithium Battery : Max. 3m (10ft)
with O.D. Ø6 tube (Up to 8 lube points)

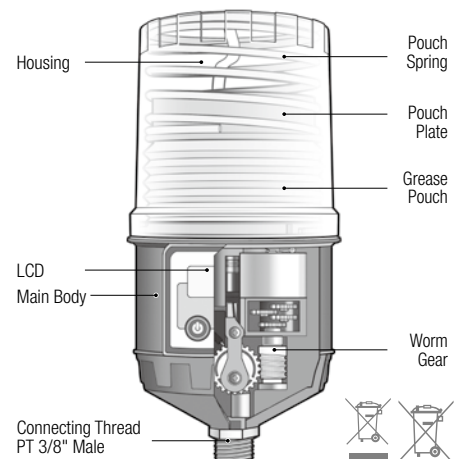
IP Code

IP65

Product Certifications

EXP : ATEX, IECEx, KCs, CE, NEPSI, TS
EXPL : ATEX, ETL, IECEx, KCs, CE, NEPSI

Overview



Applications



PETROCHEMICAL PLANTS
 NUCLEAR POWER PLANTS
 OIL & GAS
 THERMAL POWER PLANTS
 ELECTRIC MOTORS

Product Dimension

EXP/EXPL60, EXP/EXPL120 : Ø91(3.60") x 181mm (7.13") (H)
EXP/EXPL240 : Ø91(3.60") x 208mm (8.19") (H)
EXP/EXPL480 : Ø92(3.62") x 260mm (10.23") (H)

Pulsarlube MSP

Synchronize to Electrical Power

The Pulsarlube MSP units offer the advantage of providing automatic lubrication to machinery that is infrequently or intermittently used by synchronizing itself to the equipment's electrical power, thereby avoiding the problem of over lubrication.



* For replacement kit information, please refer to Service Pack on Page 15.

Features & Benefits

Synchronized	Dispenses a preset amount of lubricant only when the equipment is in operation to prevent over lubrication
30bar	Robust operating pressure allows multi point lubrication up to 8 points, 20ft remote install per point
LCD	Easy to read LCD displays critical information
Service Pack	Substantial savings with the use of replaceable grease pouches and battery packs

Specifications

Grease Pouch Capacity

60ml (pre-set)
125ml/250ml
(capacity setting available)
500ml (pre-set)

Power Supply

External Power Supply
(DC or AC)

Operating Pressure

30~60bar (435~870psi)

Operating Temperature

Standard Alkaline Battery :
-15°C~60°C (5°F~140°F)
Optional Lithium Battery :
-40°C~60°C (-40°F~140°F)

Dispensing Periods

60ml : 1~12 month
125ml/250ml : 1, 2, 3, 6, 12 month & H (15 days)
500ml : 1, 2, 4, 6, 12, 18, 24 month & H (15 days)

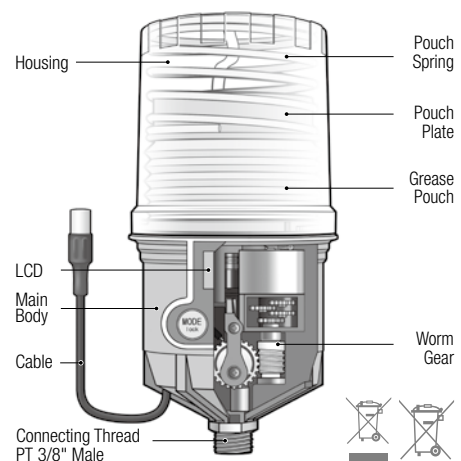
Single Point Remote Installation

Max. 10m (33ft) with O.D. Ø6 tube

Multi-Point Installation

Max. 6m (20ft) with O.D. Ø6 tube (Up to 8 lube points)

Overview



Product Dimension

MSP60, MSP125 : Ø91(3.60") x 181mm (7.13") (H)
MSP250 : Ø91(3.60") x 210mm (8.27") (H)
MSP500 : Ø92(3.62") x 260mm (10.23") (H)

Applications



MSP Product Selection

The MSP units both synchronize to machinery but are engineered differently in order to meet customer's specifications for their equipment. The MSP unit connects to a power supply (VAC or VDC) that is connected to an electrical control panel.

MSP

Uses external power as its power source.

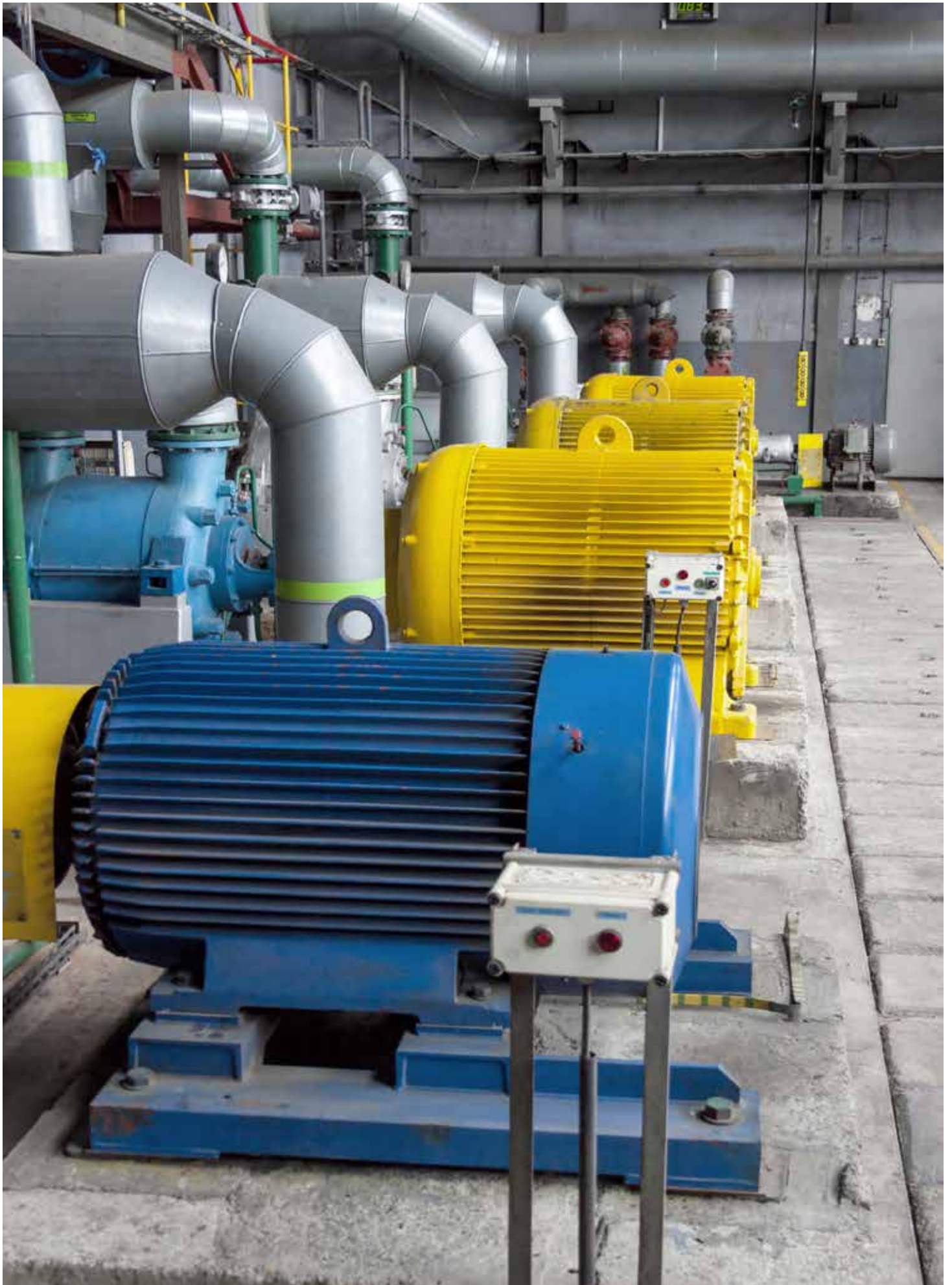
MSP+Power Supply (VAC or VDC)+Service Pack

- * An initial battery pack is included in the MSP as a backup power source to store data when power is shut off. The battery pack in the MSP does not need to be replaced for up to 5 years.
- * The Pulsarlube MSP is also available for oil (MSP-OL500).

MSP Power Supply Specification

	MSP	
	VAC	VDC
Voltage Rate Input Range	100~220V	12~24V
Voltage Rate Output Range	5.0V, 2A	
Power ON Indicator	Red LED on Power Supply	
Relay Box Dimensions	85mm (D) × 49mm (W) × 32mm (H)	
Wire Length	From Lubricator : 90mm Input from Power Supply to lubricator : 1m (3.3ft) / Output from Power Supply to equipment : 4m (13ft)	





Pulsarlube Mi

Synchronize Operation to Vibration

The Pulsarlube Mi operates only when machine operates by detecting vibration on the installed application.



* For replacement kit information, please refer to Service Pack on Page 15.

Features & Benefits

Vibration Sensor	Vibration sensor allows the unit to lubricate only when the application is operating
Easy Installation	No need for external electric wiring or other power cables
Service Pack	Substantial savings with the use of replaceable grease pouches and battery packs
Simple & Precise	Simple to operate & dispenses precise amounts of lubricant reliably

Specifications

Grease Pouch Capacity

60ml/125ml/250ml
(capacity setting available)

Power Supply

DC 4.5V Battery Pack

Operating Pressure

30~60bar (435~870psi)

Operating Temperature

Standard Alkaline Battery :
-15°C~60°C (5°F~140°F)
Optional Lithium Battery :
-40°C~60°C (-40°F~140°F)

Dispensing Periods

1~12 month

Single Point Remote Installation

Max. 1m (3.3ft) with O.D. Ø6 tube

Multi-Point Installation

Max. 1m (3.3ft) with O.D. Ø6 tube
(Up to 2 lube points)

Product Certifications

CE

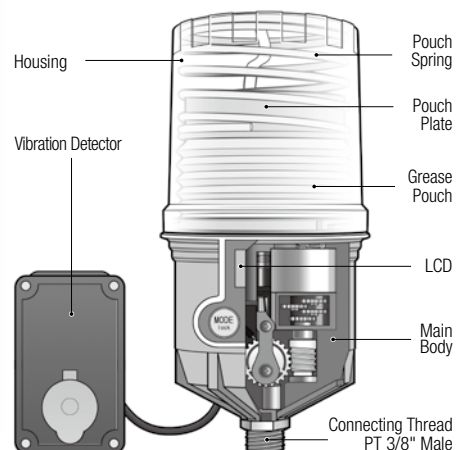
Vibration Detector

- Piezoelectric Cantilever-type Film Sensor
- Adjustable Sensitivity Range

Wire Length

- To Lubricator : 150mm (0.5ft)
- Sensor Cable : 1.2m (4ft)

Overview



Product Dimension

Mi 60, Mi 125 : Ø91(3.60") x 181mm (7.13") (H)
Mi 250 : Ø91(3.60") x 208mm (8.19") (H)



Applications



Industry's first and only **Bluetooth-enabled** electromechanical lubricator controlled conveniently using the Pulsarlube mobile APP.



022-190186



KLT Co., Ltd.
원호(Model):
BT60 CMIIT ID: 2019DJ0846
BT120 CMIIT ID: 2019DJ0847
BT240 CMIIT ID: 2019DJ1090

IP65

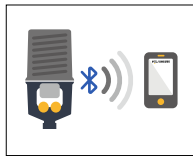


Pulsarlube BT

Enhanced Convenience

The Pulsarlube BT is the world's first and only Bluetooth-enabled electromechanical lubricator. Advanced connectivity adds great value to convenience & safety for the lubrication management & control program.

Features & Benefits



Real-time pairing between mobile device and lubricator



Easily share information between mobile device and database server



Remotely monitor lubricator status in hazardous and inaccessible work areas via mobile App



Substantial savings with the use of replaceable grease pouches and battery packs



* For replacement kit information, please refer to Service Pack on Page 15.

Specifications

Grease Pouch Capacity

60ml/120ml/240ml (pre-set)

Power Supply

DC 4.5V Battery Pack (replaceable)

Standard : Alkaline Battery
Optional : Lithium Battery

Operating Pressure

30~60bar (435~870psi)

Operating Temperature

Standard Alkaline Battery :
-15°C~60°C (5°F~140°F)
Optional Lithium Battery :
-40°C~60°C (-40°F~140°F)

Dispensing Periods

1~12 month

Single Point Remote Installation

Max. 6m (20ft) with O.D. Ø6 tube

Multi-Point Installation

Max. 3m (10ft) with O.D. Ø6 tube
(Up to 8 lube points)

Detection Range

5~20m (16.4ft~65.6ft)
depending on installation environment

Bluetooth Specification

Bluetooth 4.1 (class 2)

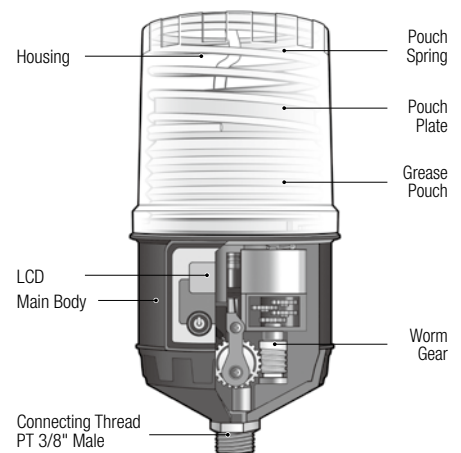
IP Code

IP65

Product Certifications

CE, KC, FCC, SIG, NCC, RCM, SRRC, NBTC, ICASA, J-MIC

Overview



Product Dimension
BT60, BT120 : Ø91(3.60") x 181mm (7.13") (H)
BT240 : Ø91(3.60") x 208mm (8.19") (H)

Applications



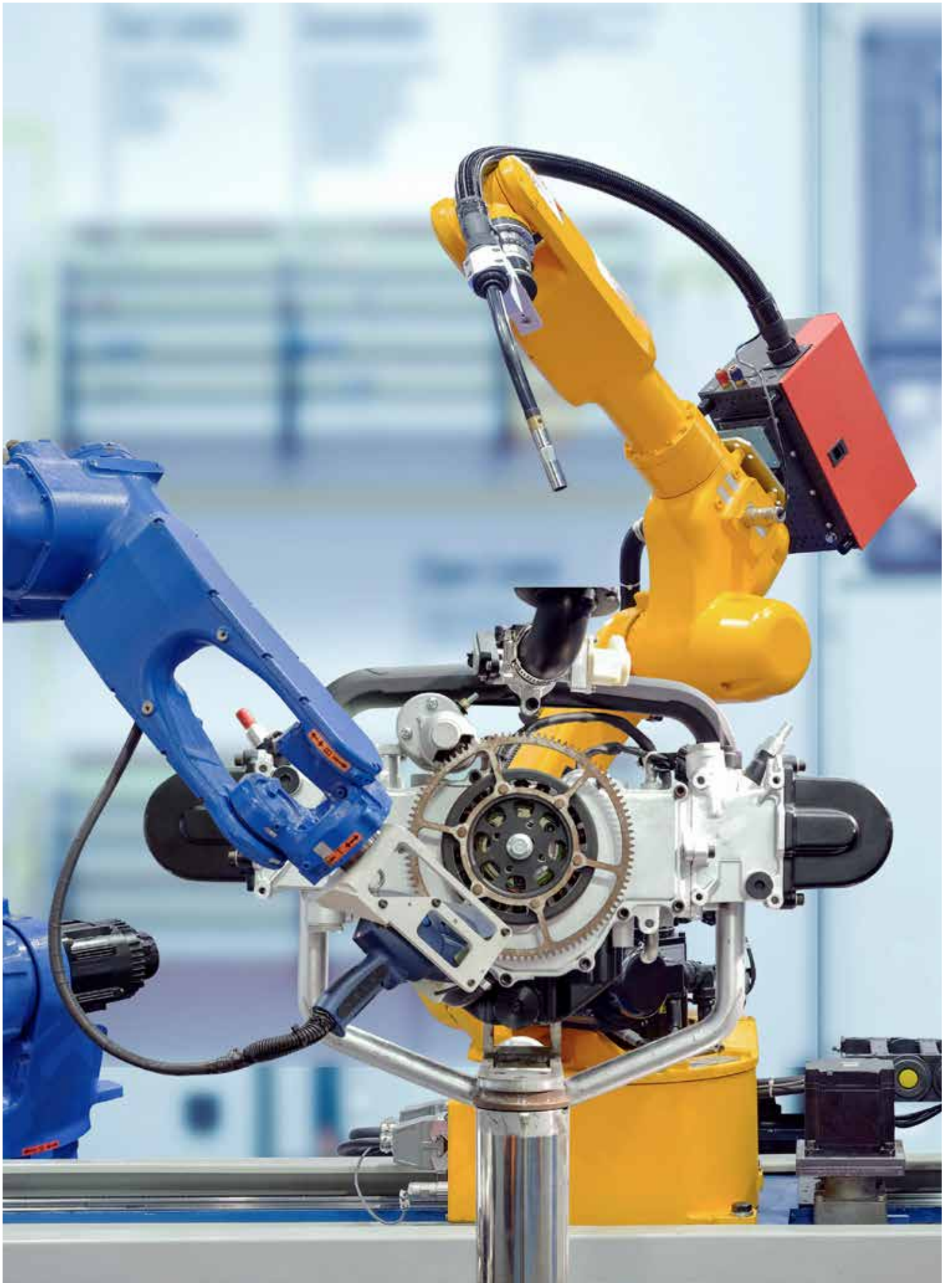
PETROCHEMICAL
PLANTS

CLEAN
ROOMS

HVAC
SYSTEMS

ELECTRIC
MOTORS

COOLING
TOWERS



Pulsarlube PLC

PLC Controlled & High Performance

The Pulsarlube PLC is specially designed to be fully integrated with a PLC system and offered in two types; MONTH and INTERVAL type.



* For replacement kit information, please refer to Service Pack on Page 15.



Features & Benefits

PLC Control	Programmed to operate upon receiving a signal from the PLC
Convenience	Sends a signal to external alarm when encountering excessive backpressure or when dispensing cycle is completed
Connectivity	Both NPN and PNP connections are available
Flexibility	MON type dispenses at preset intervals and rates depending on the monthly setting selected INT type dispenses on command when a signal is received from the PLC, at the rate selected by the user

Specifications

Grease Pouch Capacity
60ml/120ml/240ml/480ml (pre-set)

Power Supply
Power Supply : Externally Powered (DC 9V ~ 36V)

Operating Pressure
30~60bar (435~870psi)

Operating Temperature
-20°C~60°C (-4°F~140°F)

Dispensing Periods
MONTH type : 1~12 month
INTERVAL type : 1, 2, 3...6 Mode

Single Point Remote Installation
Max. 10m (33ft) with O.D. Ø6 tube

Multi-Point Installation
Max. 6m (20ft) with O.D. Ø6 tube (Up to 8 lube points)

IP Code
IP65

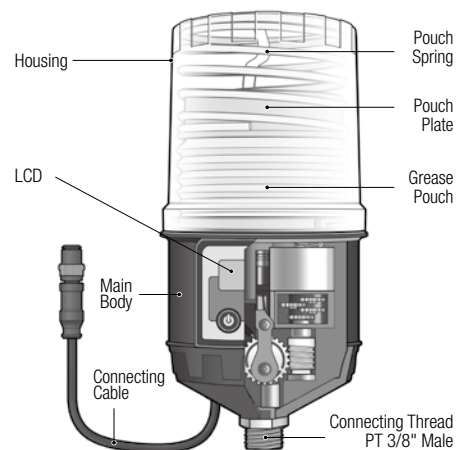
Product Certifications
CE, KC

1 Per Stroke (@20°C)
MONTH type : 0.34ml / Stroke (@20°C)
INTERVAL type : 0.34ml x Mode selected (@20°C)

Wire Length

- To Lubricator : 150mm (0.5ft)
- Extra connecting wires available for Purchase

Overview



Product Dimension
PLC60, PLC125: Ø91(3.60") x 181mm (7.13") (H)
PLC240: Ø91(3.60") x 208mm (8.19") (H)
PLC480: Ø92(3.62") x 260mm (10.23") (H)

Applications



Pulsarlube OL500

Compatible with a Wide Range of Oil Viscosity

The Pulsarlube OL500 is specifically designed to deliver a fresh, consistent, and precise amount of oil to all of the vital parts of your rotating equipment.



Specifications

Oil Reservoir Capacity

500ml (refillable)

Power Supply

DC 4.5V Battery Pack

Operating Pressure

10bar (145psi)
(depends on oil viscosity)

Operating Temperature

Standard Alkaline Battery :
-15°C~60°C (5°F~140°F)

Dispensing Periods

1, 2, 4, 6, 12, 18, 24 month & H (15 days)

Single Point Remote Installation

Max. 6m (20ft) with O.D. Ø4 tube

Multi-Point Installation

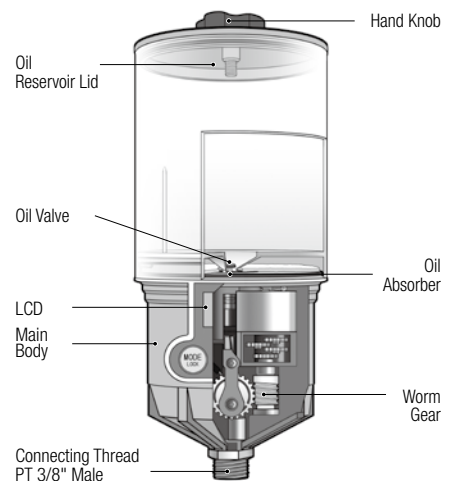
Max. 3m (10ft) with O.D. Ø4 tube
(Up to 4 tube points)

Oil Viscosity Range

10~10,000 cSt@40°C

* Special instructions available on user manual for low viscosity oils (10~100cSt@40C)

Overview



Product Dimension

OL500 : Ø94 (3.70") x 229 mm (9.02") (H)



Features & Benefits

Cost Savings	Refillable oil reservoir and multi-point lubrication capability
Adaptability	Able to handle a wide range of oil viscosity
LCD	Easy to program with built-in LCD and simple button controls
Easy to Refill	Refillable on-site

Applications



ESCALATORS CHAINS

Pulsarlube E0

Highly Cost Effective Gas Type Oiler

The Pulsarlube E0 is a low-cost oil lubrication solution which utilizes a non-return valve (NRV) to allow reliable lubrication while minimizing oil leaks.



Features & Benefits

NRV	Specially designed non-return valve (NRV) allows the unit to be installed in any position minimizing oil leak
Compact Design	Compact size is convenient for use in confined spaces
Durability	Engineered to withstand high vibration
Eco-Friendly	The components of Pulsarlube E0 can be disposed of and recycled separately conforming to local regulations

Specifications

Oil Reservoir Capacity

60ml/120ml/240ml
(disposable)

Operating Method

Electrochemical reaction
(Nitrogen gas)

Operating Pressure

Max. 5bar (73psi)

Operating Temperature

-20°C~55°C (-4°F~131°F)

Dispensing Periods

1, 3, 6, 9, 12 month

Single Point Remote Installation

Max. 3m (10ft) with O.D. Ø4 tube

Multi-Point Installation

N/A

Product Certifications

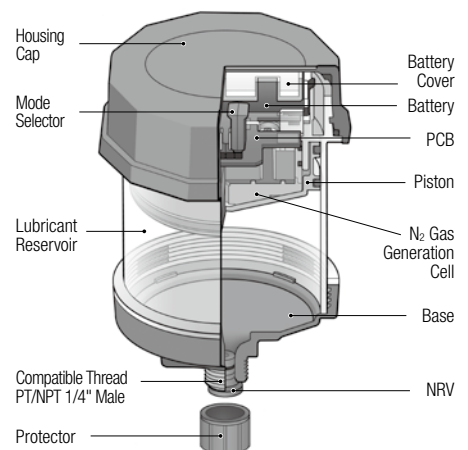
ATEX, UL, IECEx, KCs, CE, MSHA

Oil Viscosity Range

10~10,000 cSt@40°C

* Special instructions available on user manual for low viscosity oils (10~100cSt@40C)

Overview



Product Dimension

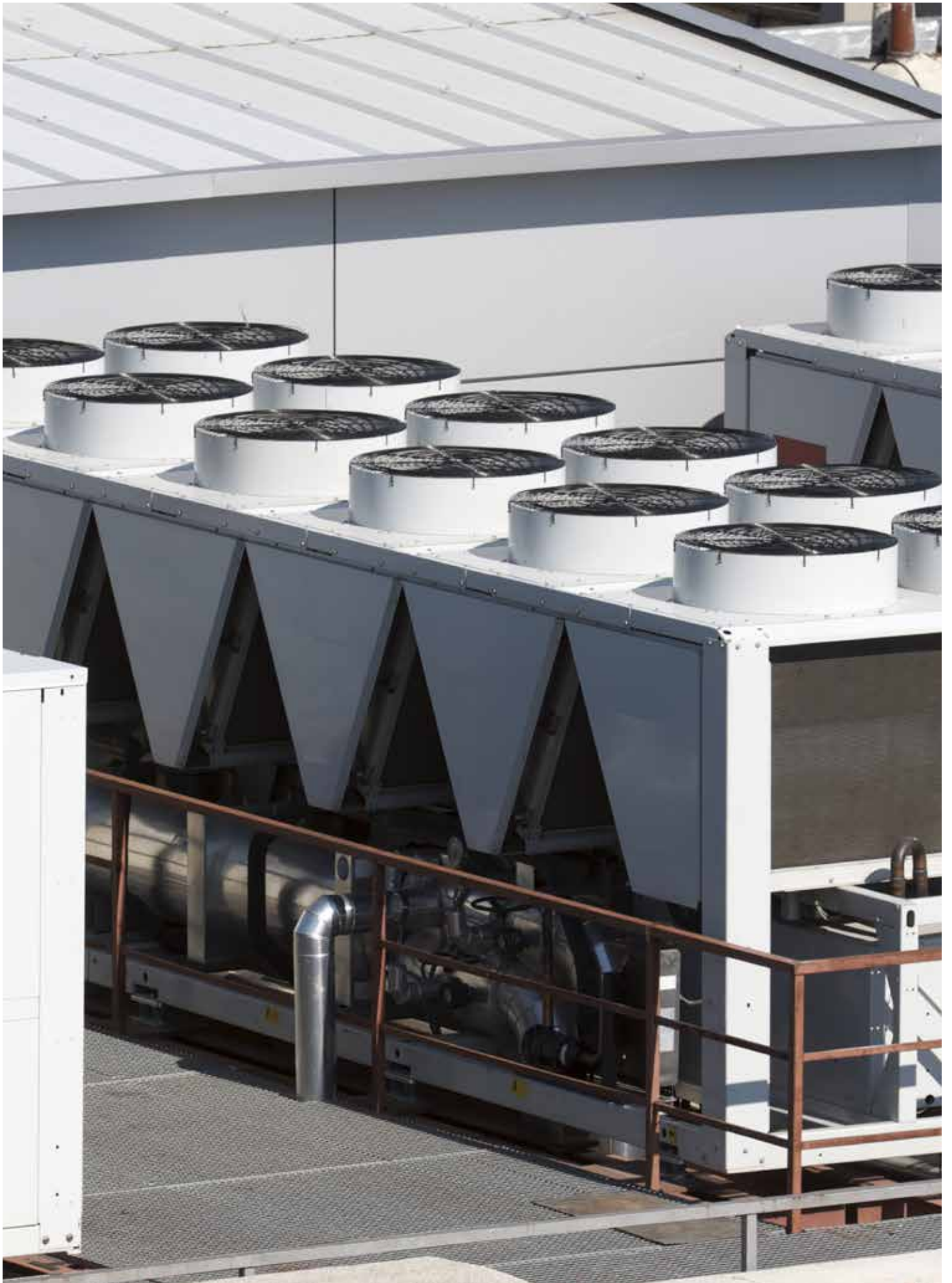
EO60 : Ø77(3.03") x 91mm (3.58") (H)
EO120 : Ø77(3.03") x 111mm (4.37") (H)
EO240 : Ø77(3.03") x 156mm (6.14") (H)



Applications



ESCALATORS WIRE ROPES CHAINS



Pulsarlube S

Unique & Ingenious Design

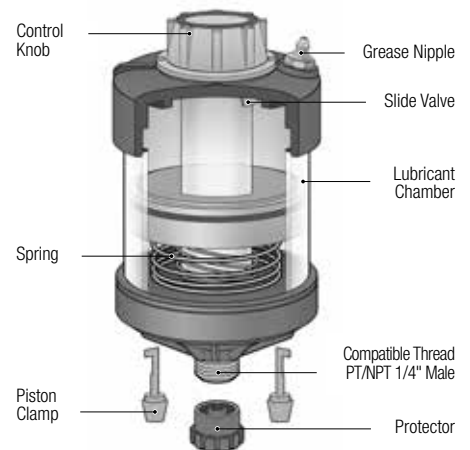
The Pulsarlube S is an advanced spring type lubricator that operates with the spring at the bottom and an upward piston movement, which dramatically reduces the effects of oil separation that have plagued traditional spring type lubricators.



Specifications

Grease Pouch Capacity 100ml (refillable)	Single Point Remote Installation N/A
Operating Method Spring	Multi-Point Installation N/A
Operating Pressure N/A	
Operating Temperature -20°C~-100°C (-4°F~-212°F)	
Dispensing Periods 5 Dial Settings	

Overview



Product Dimension
S100 : 067 (2.64") x 129mm (5.08") (H)

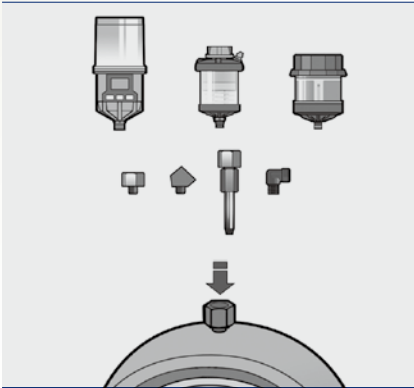
Features & Benefits

Design	The upward piston movement reduces oil separation and the possibility of grease hardening
Control Knob	Grease dispensing rate can be easily controlled by using the control knob
Reuse	Easy to refill grease on-site using grease nipple
Pre-Filled	Available pre-filled due to strategically placed piston clamps

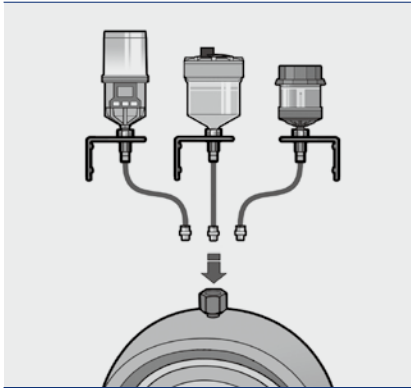
Applications



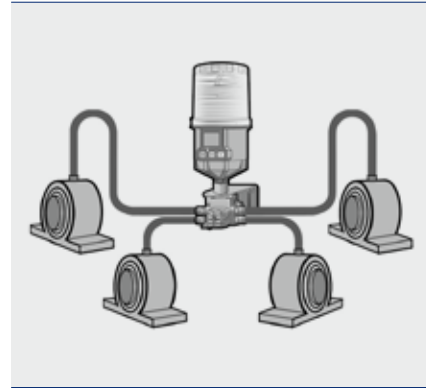
Pulsarlube Installation Options



Direct Mount



Single Point Remote Installation



Multi-Point Installation

Direct Mount

Prior to installing your lubricator, please refer to our full accessories list on the website to order necessary parts for your application.

Reducer	Socket	45° Elbow	90° Elbow	Pipe
				

Single Remote & Multi-Point Installation

Frequently used installation parts that are necessary to install Pulsarlube lubricators/oilers are packaged in a single assembly kit for your convenience. The kits are designed to meet all relevant standards. Please refer to the complete assembly kits chart below to order the right kit for your application. If further assistance is needed, please contact your local supplier.

Installation Kit Type		Gas Type Lubricator		Mechanical Lubricator
		E	V	M, EXP, EXPL, MSP, BT, Mi, PLC
Single Point Kit	Single Point	2000RC-1	1000RC-1	1250RC-1
Multi-Point Kit	2 Point	-	-	1250MD-2
	3 Point	-	-	1250MD-3
	4 Point	-	-	1250MD-4
	5 Point	-	-	1250MD-5
	6 Point	-	-	1250MD-6
	7 Point	-	-	1250MD-7
	8 Point	-	-	1250MD-8

Pulsarlube Applications

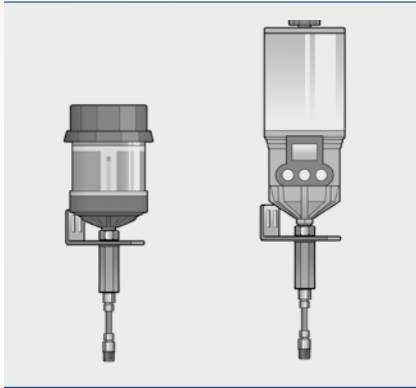


Installation Kits & Accessories for Grease Lubrication

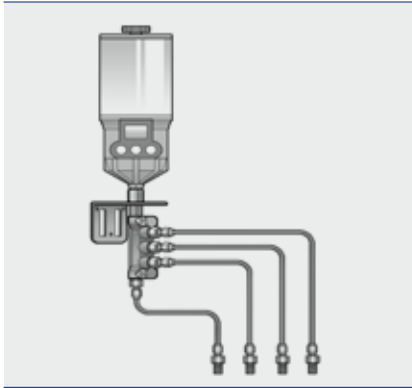


No.	Part No.	Specifications	Single Point			Multi-Point						
			2000 RC-1	1000 RC-1	1250 RC-1	1250 MD-2	1250 MD-3	1250 MD-4	1250 MD-5	1250 MD-6	1250 MD-7	1250 MD-8
1	A002	Reducer, 3/8"F x 1/8"M Adaptor (Brass)		●	●	●	●	●	●	●	●	●
2	A005	Reducer, 1/4"F x 1/8"M Adaptor (Brass)	●									
3	B002	Mounting Bracket, "L" Shape	●	●	●	●	●	●	●	●	●	●
4	B051	Self Drilling Screw, #8 x 19	●	●	●	●	●	●	●	●	●	●
5	HU-2RS	HU-2RS, Grease Type, 2 Ports				●						
	HU-3RS	HU-3RS, Grease Type, 3 Ports					●					
	HU-4RS	HU-4RS, Grease Type, 4 Ports						●				
	HU-5RS	HU-5RS, Grease Type, 5 Ports							●			
6	HU-6RS	HU-6RS, Grease Type, 6 Ports							●			
	HU-7RS	HU-7RS, Grease Type, 7 Ports								●		
	HU-8RS	HU-8RS, Grease Type, 8 Ports									●	
6	B057	Washer	●	●	●							
7	B058	Tooth Washer				●	●	●	●	●	●	●
8	A012	Socket, 1/8"F x 1/8"F Adaptor (Brass)	●	●	●							
9	A239	Tube Fitting, Push-In Type, PC8-PT1/8"M	●	●								
10	A240	Tube Fitting, Push-In Type, PC6-PT1/8"M			●	●	●	●	●	●	●	●
11	A214-1	Distribution Tubing, O.D. 1/4"(6mm) Nylon Tubing, 10ft Pre-filled with (Grease Type)			●	●	●	●	●	●	●	●
12	A212-1	Distribution Tubing, O.D. 5/16"(8mm) Urethan Tubing, 3ft Pre-filled with (Grease Type)	●	●								
13	A243	Thread Converter, PT1/8"F X NPT1/8"M (Brass) (USA only)	●	●	●	●	●	●	●	●	●	●

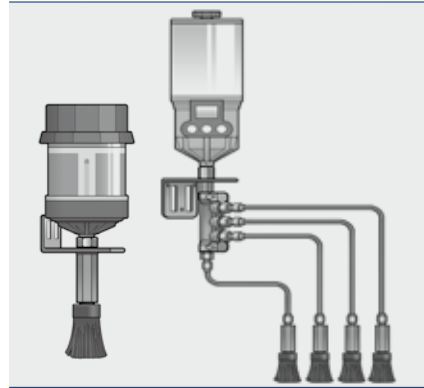
Pulsarlube Oiler Installation Options



Single Point Installation for Oilers



Multi-Point Installation for Oilers



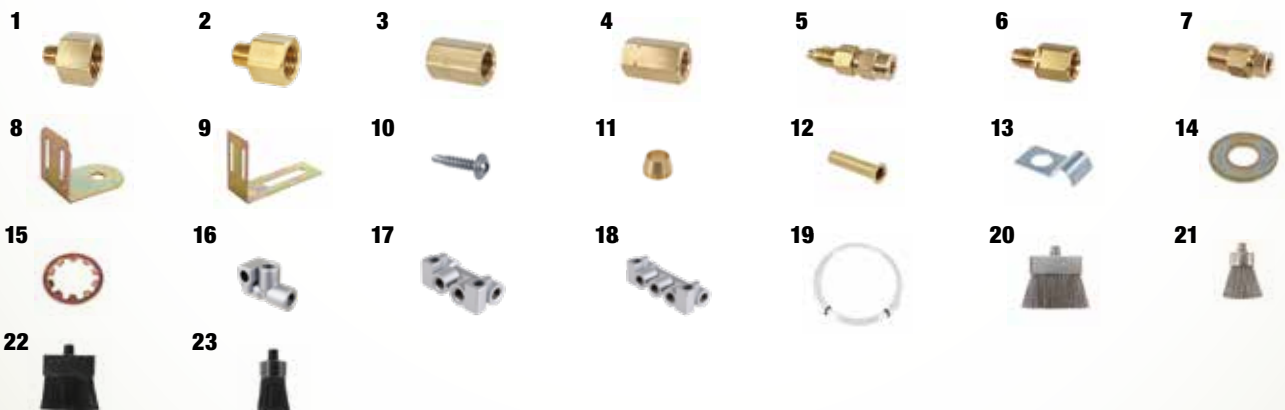
Brush Kits for Oilers

Installation Kit Type		Gas Type Oiler	Mechanical Oiler
		E0	OL500
Single Point Kit	Single Point	2000RO-1	1250RO-1
	2 Point	-	1250RO-2
Multi-Point Kit	3 Point	-	1250RO-3
	4 Point	-	1250RO-4
Brush Kit	Flat Nylon Brush	C036	C030
	Round Nylon Brush	C037	C031
	Flat Steel Brush	C038	C032
	Round Steel Brush	C039	C033

Application Solutions



Installation Kits & Accessories for Oil Lubrication



Installation Kits & Accessories for Oil Lubrication - Continued

No.	Part No.	Specifications	Single Point		Multi-Point		
			2000RO-1	1250RO-1	1250RO-2	1250RO-3	1250RO-4
1	A002	Reducer, 3/8"F x 1/8"M Adaptor (Brass)		●	●	●	●
2	A005	Reducer, 1/4"F x 1/8"M Adaptor (Brass)	●				
3	A012	Socket, 1/8"F x 1/8"F Adaptor	●	●			
5	C004-1	Resistance Valve, #1 Distributor Spray (one-touch type)			●	●	●
6	C006	Reducer, PT 1/8"F x M8 x 1P			●	●	●
7	C007	Tube Fitting, Dia. 4mm x PT1/8"M	●	●	●	●	●
8	B002	Mounting Bracket, "L" Shape	●	●	●	●	●
10	B051	Self Drilling Screw, #8 x 19	●	●	●	●	●
11	C009	Sleeve Ring, Dia. 4mm	●	●	●	●	●
12	C011	Insert, Dia. 4mm x 2.5mm	●	●	●	●	●
13	C010	Tube Clamp, Dia. 4mm x 1R	●	●	●	●	●
14	B057	Washer	●	●	●	●	●
16	C003-1	Distributor, 3 (1P) M8 x 1P			●		
17	C003-2	Distributor, 4 (2P) M8 x 1P				●	
18	C003-3	Distributor, 5 (3P) M8 x 1P					●
19	C021-1 ~ C021-4	O.D. 4mm Nylon Tubing (Clear), 10ft (3m) ~ 40ft (12m)	●	●	●	●	●

No.	Part No.	Specifications	EO Brush Kit				OL Brush Kit			
			C036	C037	C038	C039	C030	C031	C032	C033
1	A002	Reducer, 3/8"F x 1/8"M Adaptor (Brass)					●	●	●	●
2	A005	Reducer, 1/4"F x 1/8"M Adaptor (Brass)	●	●	●	●				
4	C012	Socket, PT1/8"F x NPT1/8"F	●	●	●	●	●	●	●	●
9	B003	Oil Brush Bracket, "L"Shape	●	●	●	●	●	●	●	●
10	B051	Self Drilling Screw, #8 x 19	●	●	●	●	●	●	●	●
14	B057	Washer	●	●	●	●	●	●	●	●
15	B058	Tooth Washer	●	●	●	●	●	●	●	●
20	C013	Oil Brush, 2" Flat Stainless Steel, NPT1/8"M			●				●	
21	C014	Oil Brush, 1" Round Stainless Steel, NPT1/8"M				●				●
22	C001	Oil Brush, 2" Flat Nylon, NPT1/8"M	●				●			
23	C002	Oil Brush, 1" Round Nylon, NPT1/8"M		●				●		

Pulsarlube Standard Grease

Grease Code	Region	Application	Base Oil	Temperature	NLGI #	Thickener	Color
PL1	●	Multipurpose	Mineral	-30°C~160°C	2	Lithium Complex	Yellow
PL2	● ●	Heavy Duty	Mineral	-15°C~160°C	1	Aluminum	Black
	●			-20°C~232°C	1	Calcium Sulfonate	Grey
PL3	●	High Speed	Mineral	-30°C~130°C	1.5	Lithium	Yellowish Brown
PL4	● ●	Food Grade	Synthetic	-40°C~200°C	2	Calcium Sulfonate Complex	White
	●					Calcium Sulfonate	Off-White
PL5	● ●	High Temperature	Mineral	-15°C~160°C	1	Polyurea	Beige
	●		Synthetic	-40°C~180°C	2	Lithium Complex	Red
PL6	●	Multipurpose with MoS ₂	Mineral	-20°C~140°C	2	Lithium Complex	Grey Black
	●		Synthetic	-40°C~170°C	1	Lithium Complex	Grey
PL7	●	Low Temperature	Synthetic	-40°C~170°C	1	Lithium Complex	Gold
PL8	●	Biodegradable	Synthetic	-30°C~130°C	2	Lithium	Dark Yellow
PL10	● ●	Motor Bearing	Mineral	-20°C~160°C	2	Polyurea	Blue

● Pulsarlube USA (North and South America) ● Pulsarlube GmbH (Europe) ● Pulsarlube Asia Pacific (Asia, Oceania, Africa) ● Worldwide
 Pulsarlube standard grease specifications may change due to supplier's demand. For non-standard grease, please contact your supplier for availability.

Grease Thickener Compatibility Chart

	Aluminum Complex	Barium Complex	Calcium Stearate	Calcium 12 Hydroxy	Calcium Complex	Calcium Sulfonate	Clay Non-soap	Lithium Stearate	Lithium 12 Hydroxy	Lithium Complex	Polyurea Conventional	Polyurea Shear Stable
Aluminum Complex		x	x	●	x	▲	x	x	x	●	x	●
Barium Complex	x		x	●	x	●	x	x	x	x	x	▲
Calcium Stearate	x	x		●	x	●	●	●	▲	●	x	●
Calcium 12 Hydroxy	●	●	●		▲	▲	●	●	●	●	x	●
Calcium Complex	x	x	x	▲		x	x	x	x	●	●	●
Calcium Sulfonate	▲	●	●	▲	x		x	▲	▲	●	x	●
Clay Non-soap	x	x	●	●	x	x		x	x	x	x	▲
Lithium Stearate	x	x	●	●	x	▲	x		●	●	x	●
Lithium 12 Hydroxy	x	x	▲	●	x	▲	x	●		●	x	●
Lithium Complex	●	x	●	●	●	●	x	●	●		x	●
Polyurea Conventional	x	x	x	x	●	x	x	x	x	x		●
Polyurea Shear Stable	●	▲	●	●	●	●	▲	●	●	●	●	

▲ Test required ● Compatible X Incompatible

Pulsarlube Installation Guide

● Recommended △ To be decided after inspection

Installation Type	Installation Conditions & Checkpoints	Lubricator Type											
		Spring	Electrochemical			Electromechanical		Electromechanical - Synchronizing		Electromechanical - Remote Management		Oiler	
		S	E	V	M	EXP/EXPL	MSP	Mi	BT	PLC	OL500	EO	
Before Installation	Select a proper location convenient for operation / replacement	●	●	●	●	●	●	●	●	●	●	●	●
	Check the thread size (1/4", 3/8") of the grease inlet	●	●	●	●	●	●	●	●	●	●	●	●
Direct Installation	Heavy dust or particle contamination	●	●	●	●	●	●	●	●	●	●	●	●
	Low backpressure	●	●	●	●	●	●	●	●	●	●	●	●
	High vibration (A dampener should be applied for high vibration conditions)	●	●	●	●	●	●	●	●	●	●	●	●
	Moisture and water (Check the IP rating on each model)	●	●	●	△	●	△	△	●	●	△	●	●
	High backpressure				●	●	●	●	●	●	●	●	●
	Confined areas	●	●										●
Remote Installation	High temperature areas (Maximum ambient temperatures of 55°C or under)		△		●	●	●	●	●	●	●	●	△
	High vibration		●		●	●	●	●	●	●	●	●	●
	Confined areas				●	●	●	●	●	●	●	●	
	Long distance from lube point (over 1m)				●	●	●	●	●	●	●	●	
Multi-Point Installation	Short distance from lube point				●	●	●	●	●	●	●	●	
	Multiple lube points gathered in limited spaces				●	●	●	●	●	●	●	●	
Machine Synchronized Application	Lubrication must be applied whenever machine operates							●	●		●		
	Machine operates with extended downtimes							●	●		●		
	HVAC & other machines that may be controlled by temperature changes							●	●		●		
	Machine is a fire risk hazard due to overheating/over-lubrication							●	●		●		
Check Points	<ul style="list-style-type: none"> ☑ Read the user manuals prior to installation and follow instructions carefully for appropriate installation of Pulsarlube products. ☑ Please check compatibility between the grease previously used in machinery and the grease contained in the Pulsarlube lubricator and tubing. ☑ Please check that fitting connections are tight and that the bearing passageway is clear before installation. ☑ Units installed with 45° & 90° elbow adapters in confined areas should be handled and replaced with care. ☑ Do not install units in areas where they may fall and cause injuries. ☑ Take tube length, tube I.D., and backpressure at the lube point into consideration for remote installation. ☑ For optimal results in multi-point installation, please consider the following : <ul style="list-style-type: none"> ① Minimize operating pressure (backpressure from tubing + backpressure from divider block + backpressure from bearing) ② Use lower NLGI grade grease (NLGI#1 grease is recommended). ③ Keep lube points (maximum up to 8 points) and tubing length to a minimum. ④ Regular check-ups of dispensing conditions are required if using a divider block or oil distributor. 												

Pulsarlube Dispensing Recommendations

Below are some general guidelines for bearing lubrication requirements. Testing is recommended for specific applications. Please contact your local distributor should you need any assistance in setting proper dispensing rates.

Dispensing Cycle Chart

(0.34ml / Cycle)

Mode/ Month	60ml		120ml / 125ml		240ml / 250ml		480ml / 500ml	
	Hours	Cycles/Day	Hours	Cycles/Day	Hours	Cycles/Day	Hours	Cycles/Day
1/2	-	-	1 hours	24.00	30 minutes	48.00	15 minutes	96.00
1	4 hours	6.00	2 hours	12.00	1 hours	24.00	30 minutes	48.00
2	8 hours	3.00	4 hours	6.00	2 hours	12.00	1.0 hours	24.00
3	12 hours	2.00	6 hours	4.00	3 hours	8.00	1.5 hours	16.00
4	16 hours	1.50	8 hours	3.00	4 hours	6.00	2.0 hours	12.00
5	20 hours	1.20	10 hours	2.40	5 hours	4.80	2.5 hours	9.60
6	24 hours	1.00	12 hours	2.00	6 hours	4.00	3.0 hours	8.00
7	28 hours	0.86	14 hours	1.71	7 hours	3.43	3.5 hours	6.86
8	32 hours	0.75	16 hours	1.50	8 hours	3.00	4.0 hours	6.00
9	36 hours	0.67	18 hours	1.33	9 hours	2.67	4.5 hours	5.33
10	40 hours	0.60	20 hours	1.20	10 hours	2.40	5.0 hours	4.80
11	44 hours	0.55	22 hours	1.09	11 hours	2.18	5.5 hours	4.36
12	48 hours	0.50	24 hours	1.00	12 hours	2.00	6.0 hours	4.00
18	-	-	-	-	-	-	9.0 hours	2.66
24	-	-	-	-	-	-	12.0 hours	2.00
Total # Cycle	180 Cycles		360 Cycles		720 Cycles		1440 Cycles	

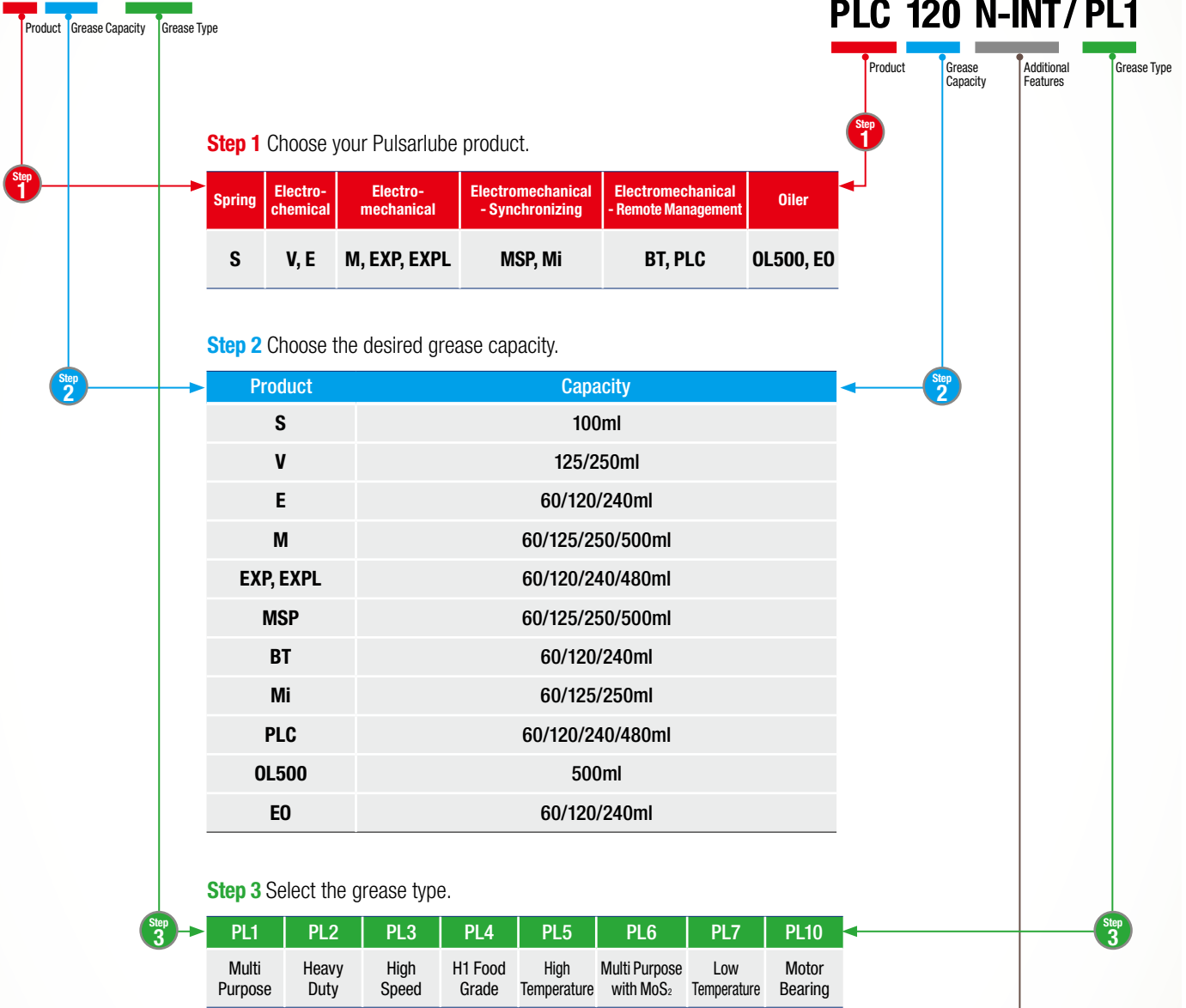
Dispensing Periods

Product	60ml	120ml / 125ml	240ml / 250ml	480ml / 500ml
M	1~12 Month			
MSP	1~12 Month	1, 2, 3, 6, 12 Month & H (15 days)		1, 2, 4, 6, 12, 18, 24 Month & H (15 days)
OL500	-			1, 2, 4, 6, 12, 18, 24 Month & H (15 days)
EXP / EXPL	1~12 Month	1, 2, 3, 6, 9, 12 Month		
Mi	1~12 Month			
BT	1~12 Month			
PLC (Month)	1~12 Month			
PLC (Interval)	1, 2, 3, 4, 5, 6 Mode			

Please follow the steps below when ordering Pulsarlube products. OEM filling is available upon request under special terms and conditions. Please contact your local distributor or Pulsarlube regional sales office for detail information. Certain products may not be available in specific regions.

EX) M125 / PL2

EX) MSP125-VDC / PL2
PLC 120 N-INT / PL1



Additional Features for certain products.

MSP Power Supply	
VAC (AC-DC Adapter)	VDC (DC-DC Converter)

PLC	
1) N : NPN Sensor Type	1) INT : Interval Control Type
2) P : PNP Sensor Type	2) MON : Month Control Type

* When ordering the Pulsarlube PLC, please select your PLC sensor type and the signal control type.



Pulsarlube USA, Inc.

1480 Howard Street, Elk Grove Village, IL 60007, USA
Tel : +1 (847) 593-5300 / Fax : +1 (847) 593-5303
www.pulsarlube.com / info@pulsarlube.com

Pulsarlube Asia Pacific

Daerung Posttower 6th #814, 298, Beotkkot-ro, Geumcheon-gu, Seoul, Korea
Tel : +82 (2) 2135-3788 / Fax : +82 (2) 2083-8485
www.pulsarlube.com / sales.asia@pulsarlube.com

Pulsarlube GmbH

Silostrasses 31b, 65929 Frankfurt am Main, Germany
Tel : +49 (69) 8700766-62/-63 / Fax : +49 (69) 8700766-69
www.pulsarlube.de / [sales.eu\(at\)pulsarlube.com](mailto:sales.eu(at)pulsarlube.com)

Pulsarlube China

Room 918, Ligu Building, No.255, Wubao Road, Minhang District, Shanghai, China, 201101
Tel : +86 (21) 6221-8211 / Fax : +86 (21) 6221-9020
www.pulsarlube-cn.com / sales.china@pulsarlube.com